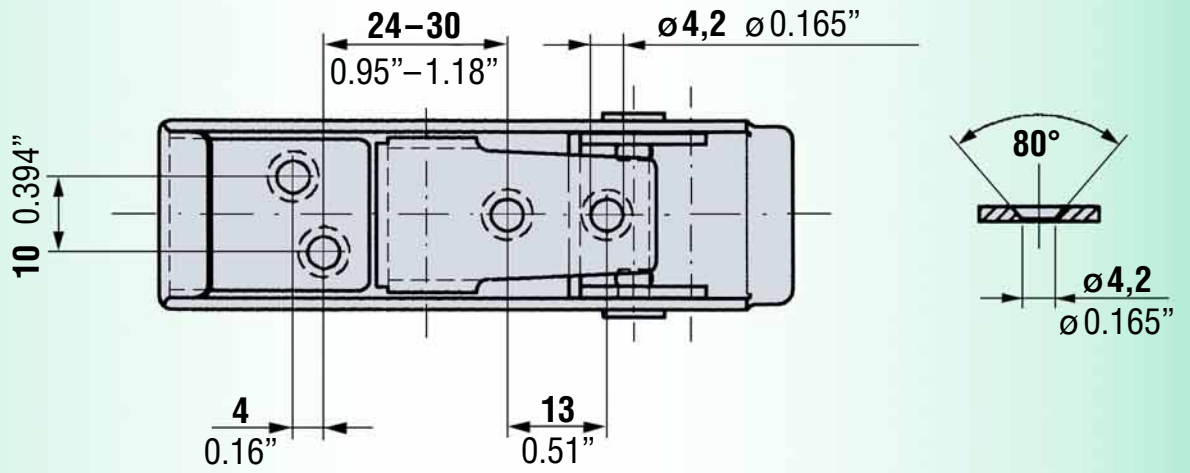
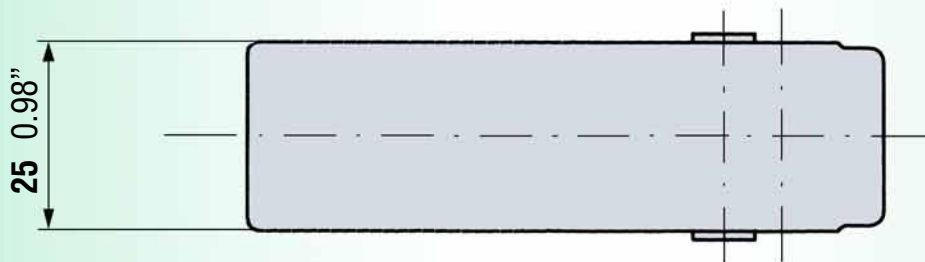
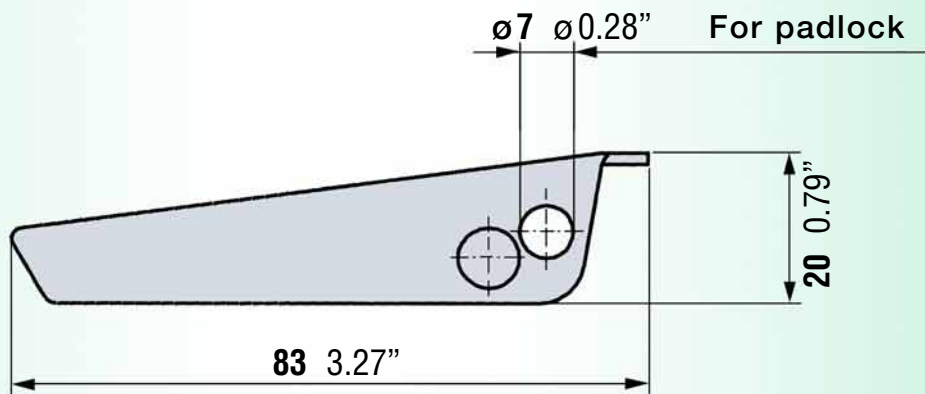
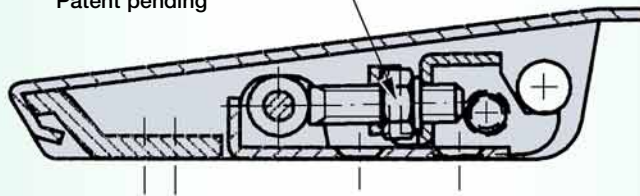


905 XC



Friction screw

Patent pending



Sheet thickness: 1,5 0.06"